

SCRIBE 60x40 U STANDARD



INTEGRABLE · SCRIBE MARKING

- Scribe marking unit, **silent and compact**, with **small dimensions**, especially designed for integration in production lines.

ADVANTAGES

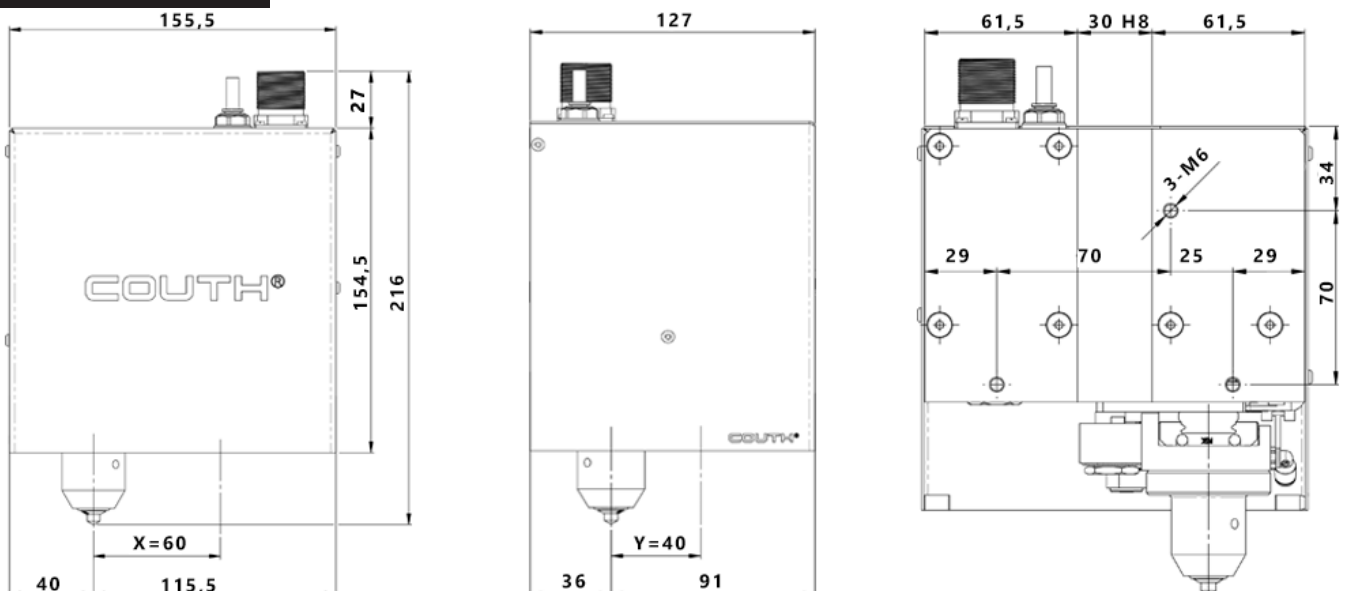
- **Silent.** Noise level 25% lower than European Directive requirements.
- Small size, making it the **smallest and fastest scribe marker unit on the market.**
- **High marking speed**, for all kinds of materials and hardnesses up to 62HRC.
- Top **reliability**, uninterrupted production.
- **Reduced maintenance costs** due to fast and easy access to all its components.
- Highly **robust and long-lasting**, thanks to the high quality of its components.
- Circular connector that **facilitates assembly and disassembly.**
- Bi-colour LED, **visual information** on the machine's status.
- Available in three versions: with no protection, with leather protection, and with slider plate protection

CHARACTERISTICS

- 60 by 40 mm marking area.
- Mark depth up to 0.1 mm.
- Hardness of materials to mark up to 62HRC.
- 2-bar air pressure.
- R20 marking cylinder.
- Protection system that is easy to assemble and disassemble.
- 2.5-metre robotics wire.
Other lengths: 5, 10 and 15 metres.
- Marking alphanumeric codes, logotypes, DATAMATRIX™, QR codes, etc.
- Connection with **COUTHsmartbox** control for integration into production lines (see technical file for more information).
- PC edition programme:
 - **COUTHvector**, logotype creation.
 - **COUTHedit**, marking file creation
 - **COUTHmonitor**, machine status monitoring.
- **COUTHlink.** Library to facilitate connectivity between COUTH smartbox and the production line PLC.

DIMENSIONS

SCRIBE 60X40U (COD. 21U61YRG2)



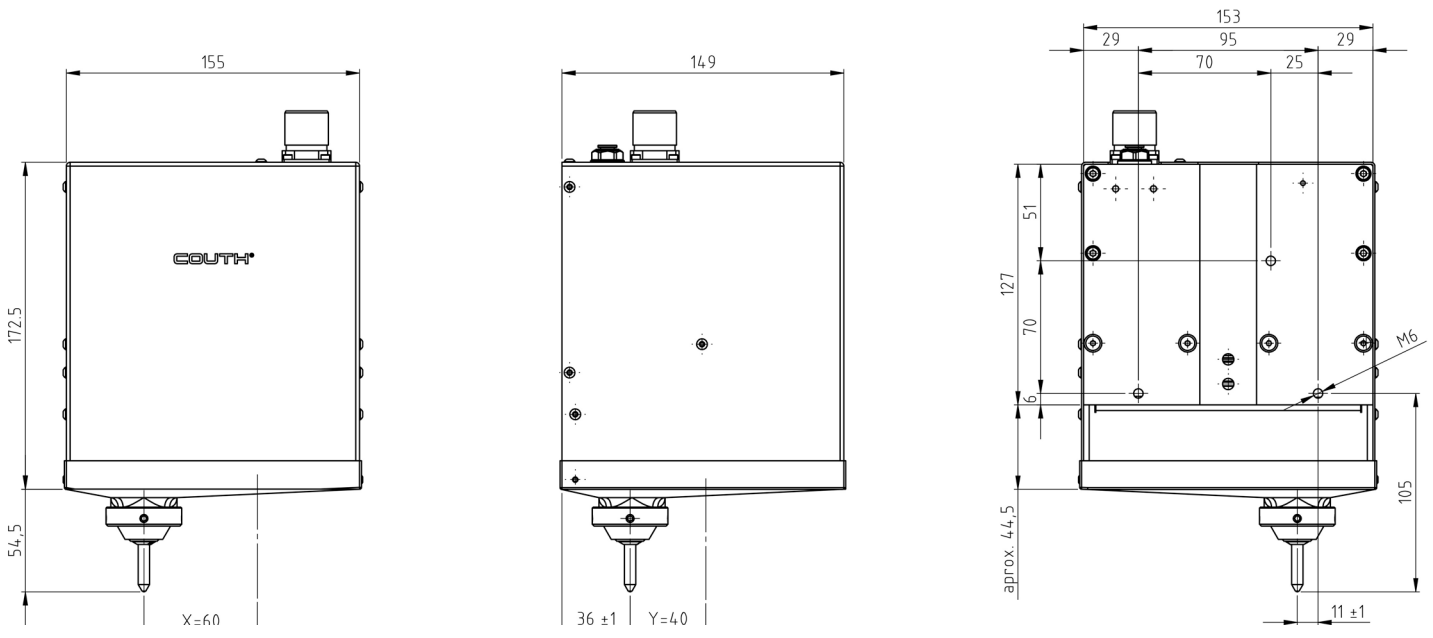
SCRIBE 60x40 U STANDARD

INTEGRABLE · SCRIBE MARKING

DIMENSIONS



SCRIBE 60X40U LEATHER PROTECTION (COD. 21U61YRG2-P1)



SCRIBE 60X40U SLIDER PLATE PROTECTION (COD. 21U61YRG2-P4)

