

DOT 100x17 P SUPERFAST

DOT 100x25 P SUPERFAST

PORTABLE · DOT PEEN MARKING

- Portable dot peen marking unit **with maximum speed**, especially designed to mark pieces in any area and position.



ADVANTAGES

- **Maximum marking speed**, for all kinds of materials and hardnesses up to 62HRC.
- Its **easy-to-disassemble** protective system **reduces maintenance times**.
- Maximum reliability, **uninterrupted productions and reduced maintenance costs**.
- Highly robust and long-lasting, thanks to the high quality of its components.
- Circular connector to facilitate assembly and disassembly.
- COUTH brand is backlit with two-colour LED, providing **visual identification of the marking machine's status**.
- Possibility of purchasing **window kit** to increase the machine's support on the piece, guaranteeing **higher marking quality** (Code 2276550).

CHARACTERISTICS

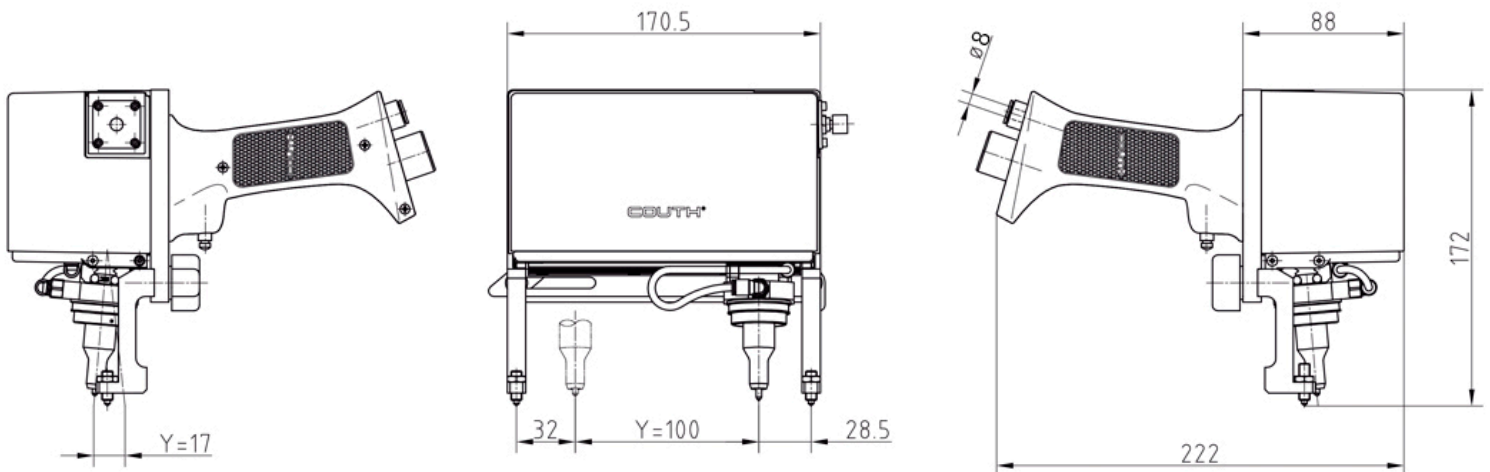
- 100 by 17 mm marking area.
- 100 by 25 mm marking area.
- Speed up to 16 characters/second.
- Hardness of materials to mark up to 62HRC.
- 6-bar air pressure.
- Different head types, depending on marking needs: pneumatic (N7SB, N14SB, N20SB) and electric (S2, S6).
- Protection system that is easy to assemble and disassemble.
- 5-metre robotics wire
Other lengths: 10 and 15 metres.
- Marking alphanumeric codes, logotypes, DATAMATRIX™, QR codes, etc.
- Built-in support; point or window option, depending on the piece to mark.
- Connection with **COUTHsmartbox** control for integration into production lines (see technical specifications for more information).
- PC edition programme:
 - **COUTHvector**, logotype creation.
 - **COUTHedit**, marking file creation.
 - **COUTHmonitor**, machine status monitoring.
- **COUTHlink**. Library to facilitate connectivity between COUTHsmartbox and the production line PLC.

DOT 100x17 P SUPERFAST

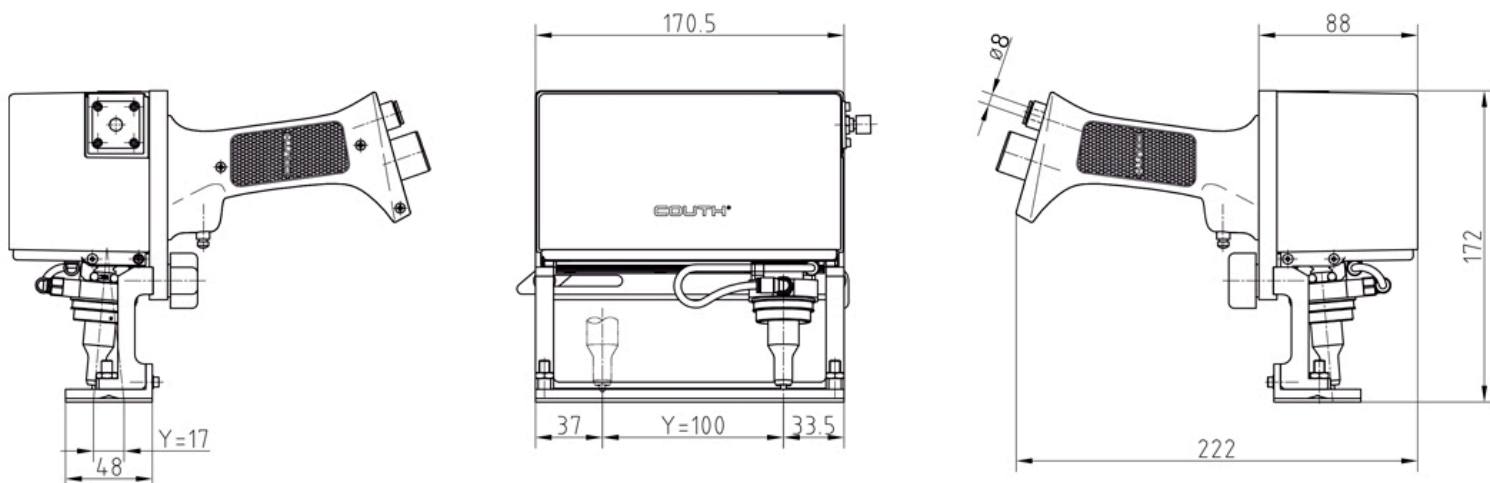
PORTABLE · DOT PEEN MARKING

DIMENSIONS

DOT 100X17 P



DOT 100X17 P WITH WINDOW KIT (CODE 2276550)

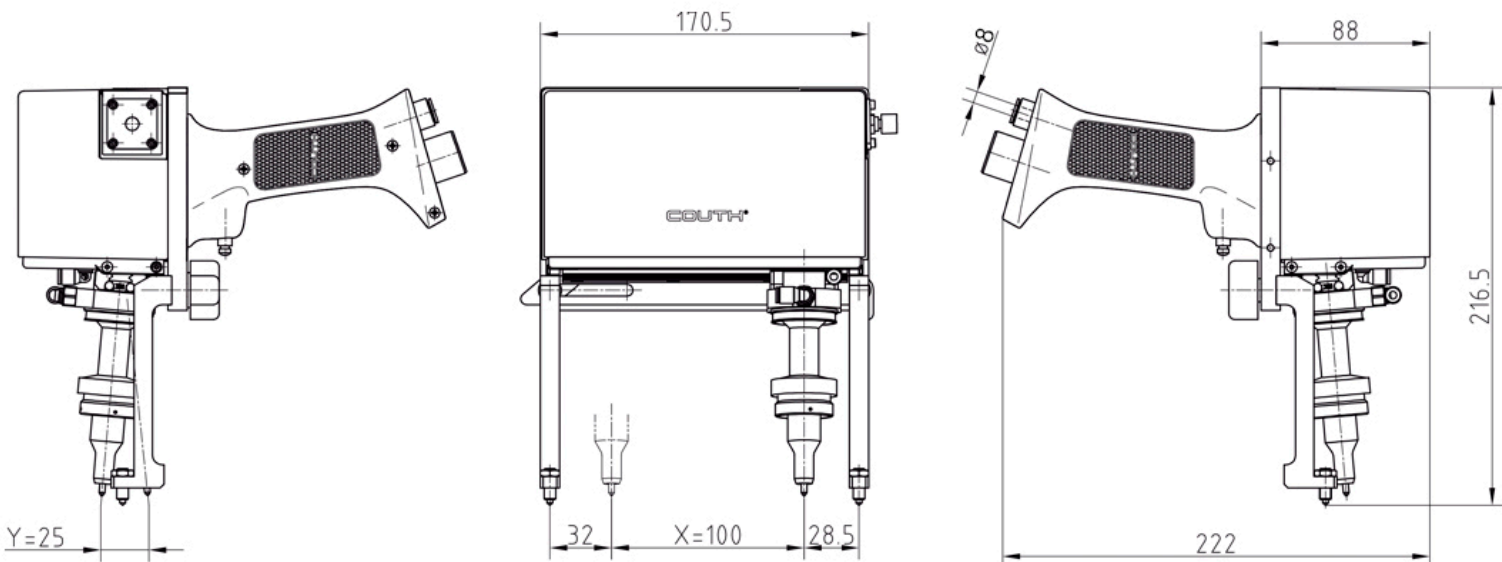


DOT 100x25 P SUPERFAST

PORTABLE · DOT PEEN MARKING

DIMENSIONS

DOT 100X25 P



DOT 100X25 P WITH WINDOW KIT (CODE 2276550)

