

## DOT 100x17 U SUPERFAST

## DOT 100x25 U SUPERFAST

### INTEGRABLE · DOT PEEN MARKING UNIT

- **Top-speed** micro-dot marking unit, up to 16 characters per second. Especially designed to be integrated into **production lines**.



### ADVANTAGES

- **Maximum marking speed**, for all kinds of materials and hardnesses up to 62HRC.
- Its **easy-to-disassemble** protective system **reduces maintenance times**.
- Maximum reliability, **uninterrupted productions, and reduced maintenance costs**.
- Highly robust and long-lasting, thanks to the high quality of its components.
- Circular connector to facilitate assembly and disassembly. **Possibility of 90-degree rotation**.
- COUTH brand is backlit with two-colour LED, providing **visual identification of the marking machine's status**.
- Possibility of purchasing a **protective cover from factory** or as an accessory.

### CHARACTERISTICS

- 100 by 17 mm marking area.
- 100 by 25 mm marking area.
- Speed up to 16 characters/second.
- Hardness of materials to mark up to 62HRC.
- 6-bar air pressure.
- Different head types, depending on marking needs: pneumatic (N7SB, N14SB, N20SB) and electric (S2, S6).
- Protection system that is easy to assemble and disassemble.
- 2.5-metre robotics wire  
Other lengths: 5, 10 and 15 metres.
- Marking alphanumeric codes, logotypes, DATAMATRIX™, QR codes, etc.
- Connection with **COUTHsmartbox** control for integration into production lines (see technical specifications for more information).
- PC edition programme:
  - **COUTHvector**, logotype creation.
  - **COUTHedit**, marking file creation.
  - **COUTHmonitor**, machine status monitoring.
- **COUTHlink**. Library to facilitate connectivity between COUTHsmartbox and the production line PLC.

## DOT 100x17 U SUPERFAST

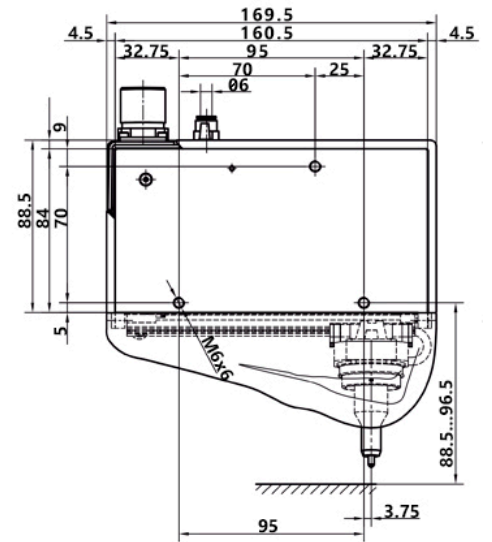
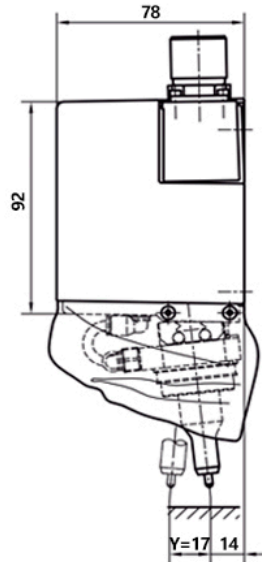
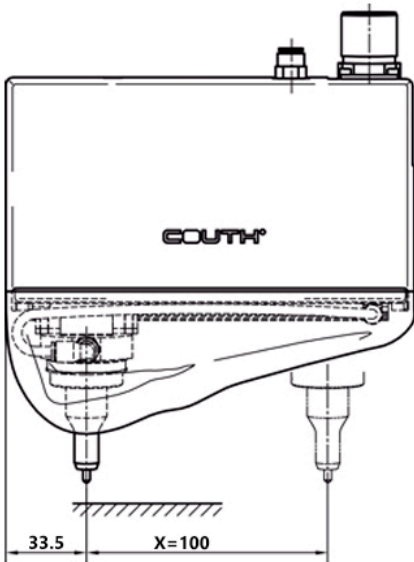
## DOT 100x25 U SUPERFAST

INTEGRABLE · DOT PEEN MARKING UNIT



### DIMENSIONS

#### DOT 100X17 U



#### DOT 100X25 U

